

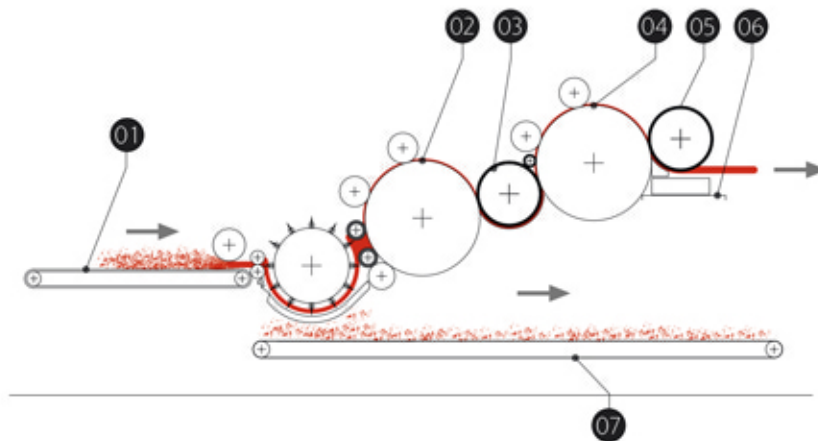
wool deburring machine/羊毛除杂机

reference line/生产线参考

WOOL DEBURRING LINE 羊毛除杂生产线

process flow/生产流程

SLP-2



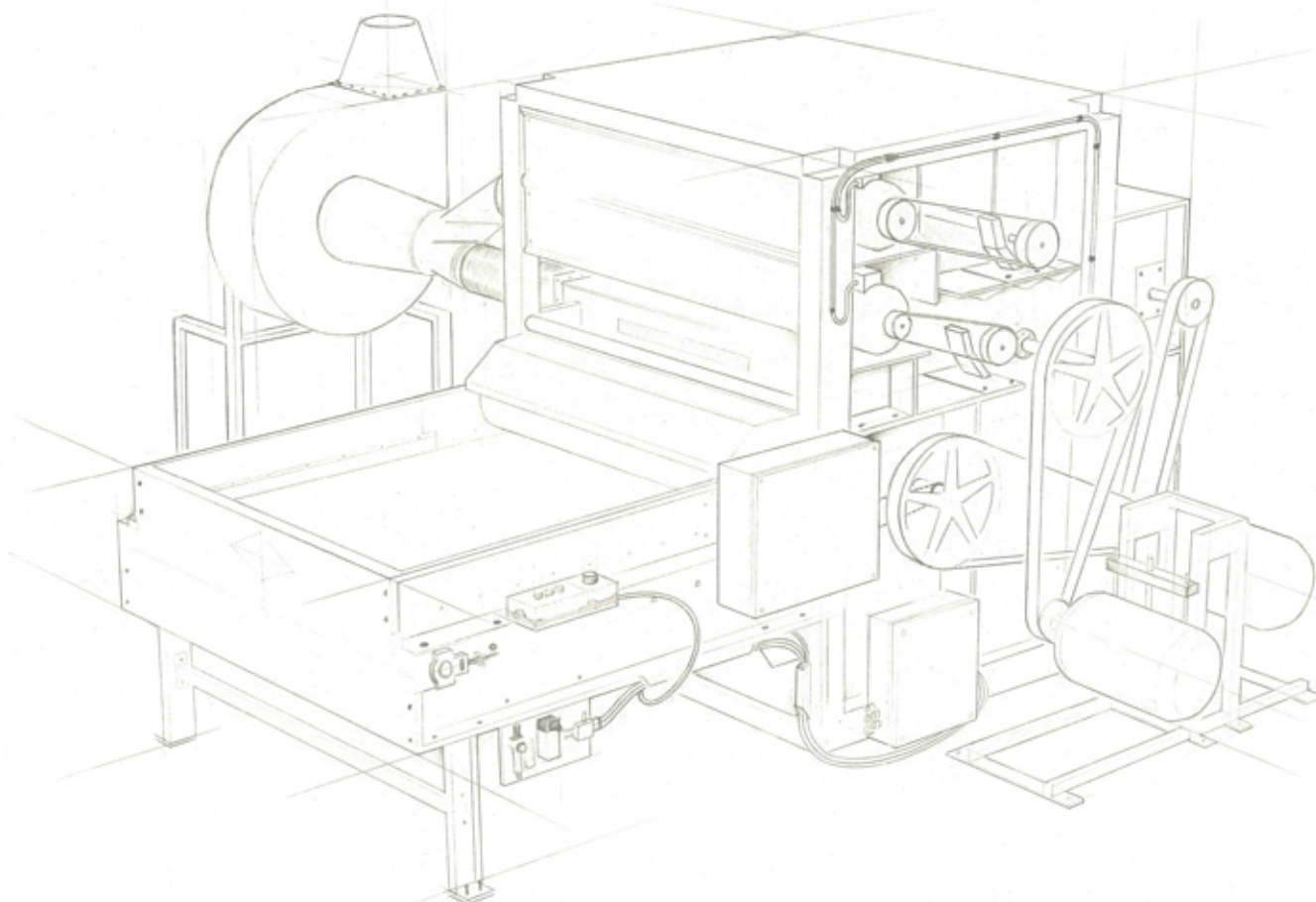
THIS MODEL WAS SPECIALLY DESIGNED TO MAXIMISE THE PROCESS FLEXIBILITY, BY ALLOWING TO PROCESS DIFFERENT WOOL TYPES EVEN CONTAINING HIGH PERCENTAGE OF VEGETABLE IMPURITIES. THIS VERSION SIGNIFICANTLY IMPROVES THE CLEANING POWER OF THE MACHINE

这种型号的设备具有最大的适应性和很好的除杂效果,可以处理不同种类的羊毛原料,甚至是植物杂质含量很高的羊毛原料

- | | |
|--|----------------------|
| 01. FEED BELT CONVEYOR | 01. 喂料平帘 |
| 02. FIRST DEBURRING CYLINDER | 02. 第一组除草杂滚筒 |
| 03. TRANSPORT ROLLERS (SLP-2) | 03. 转移辊 (SLP-2) |
| 04. SECOND DEBURRING CYLINDER (SLP-2) | 04. 第二组除草杂滚筒 (SLP-2) |
| 05. DOFFING ROLLER | 05. 道夫 |
| 06. DELIVERY MOTORFAN | 06. 输送风机 |
| 07. WASTES AND VM COLLECTING BELT CONVEYOR | 07. 废物和草杂收集帘 |

wool deburring machine/羊毛除杂机

notes/说明



WORKING WIDTH UP TO 2000 MM
(OTHER DIMENSIONS AVAILABLE UPON REQUEST)
PRODUCTION CAPACITY HIGHER THAN 300 KG/H, DEPENDING ON
FIBER TYPE AND IMPURITY CONTENT

AVAILABLE VERSIONS:
MODEL SLP-1 WITH SINGLE CYLINDER
MODEL SLP-2 WITH DOUBLE CYLINDER

PROCESS MAIN FEATURES:
NO BREAKAGE OR SHORTENING OF THE FIBRES BEING PROCESSED
UNSCOURED GREASY WOOL PROCESSABLE TO IMPROVE THE
EFFICIENCY OF THE FOLLOWING SCOURING PROCESS

工作幅宽: 最高可达2000毫米
(根据客户要求可变)

生产能力: 大于300公斤/时,
取决于原料种类和杂质含量

配置选型:
SLP-1型单滚筒式
SLP-2型双滚筒式

主要优点:
羊毛纤维没有断裂或截短
可以处理未洗原毛, 提供后续加工的效率

